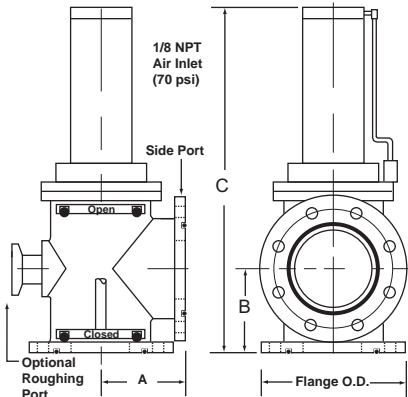




- Less Outgassing Than Stainless, See Page 39
- 6061 Aluminum or Mild Steel Poppet Valves
- Electroless Nickel Optional on Steel Valves
- Over 100,000 Cycles Without Maintenance
- Optional Operation to 10 Bar, 147 PSIG
- 150 lb. ANSI Flanges Standard
- ISO and Special Flanges Available
- Flanges to Match Diffusion & Cryo Pumps
- 3 Port Valves Available in All Sizes
- Leak Tested To Better Than  $5 \times 10^{-10}$  scc/sec
- Automatic Closure on Power Failure
- All Valves (RoHS) 2002/95/EC Compliant



The standard configuration is with O-Rings on both flanges. However, valves can be provided without O-Rings, or with an O-Ring on only one side for no additional cost. If only one O-Ring is needed specify "open" or "seal" side.

### ORDERING INFORMATION

**Model Number:** Refer to page 2 for instructions on how to specify the features you need.  
**Electronic Position Indicators:** Two reed switches activated by a magnet inside pneumatic actuator provide closure for open & closed position. Add 'LSE' to Model No., see page 40 for specifications . . . . \$150. / pair  
**Roughing Ports or Gauge Ports:** Standard location is 180° from side port as shown in drawing. Other locations and more than one port are available.

#### Available on Any Size Valve

NW-16 . . . . . \$146.    NW-40. . . . . \$183.  
 NW-25 . . . . . \$159.    NW-50 (Not On 2") . . \$196.

#### Available on 6 Inch or Larger Valves

ANSI 2 Inch . . \$390.    ISO k 63 . . \$263.  
 ANSI 3 Inch . . \$425.    ISO k 80 . . \$343.  
 ANSI 4 Inch . . \$520.    ISO k 100 . \$374.

**Special Features:** Refer to pages 40 - 43 for information on special features and accessories.

**Viton® or Kalrez® or Silicone O-Rings:** Our standard Poppet Valves use Buna-N O-Rings. You may specify Viton® (or other materials) throughout the valve with a "V", "S", or "K" in the model number. For Viton® add the following to the price. (For Silicone or Kalrez® contact the factory for prices.)

2 or 3 in. valves . . . . . \$55.    8 inch valves . . . . . \$164.    16 inch valves . . . . . contact factory  
 4 inch valves . . . . . \$83.    10 inch valves . . . . . \$214.    20 inch valves . . . . . contact factory  
 6 inch valves . . . . . \$103.    12 inch valves . . . . . \$275.

Poppet valves with port sizes from 10 inch to 24 inch are designed to seal with vacuum on the bottom port and atmosphere on the side port. If you need to seal the valve with atmosphere on the bottom port (pushing the valve open) specify this on your inquiry and a larger cylinder will be provided.

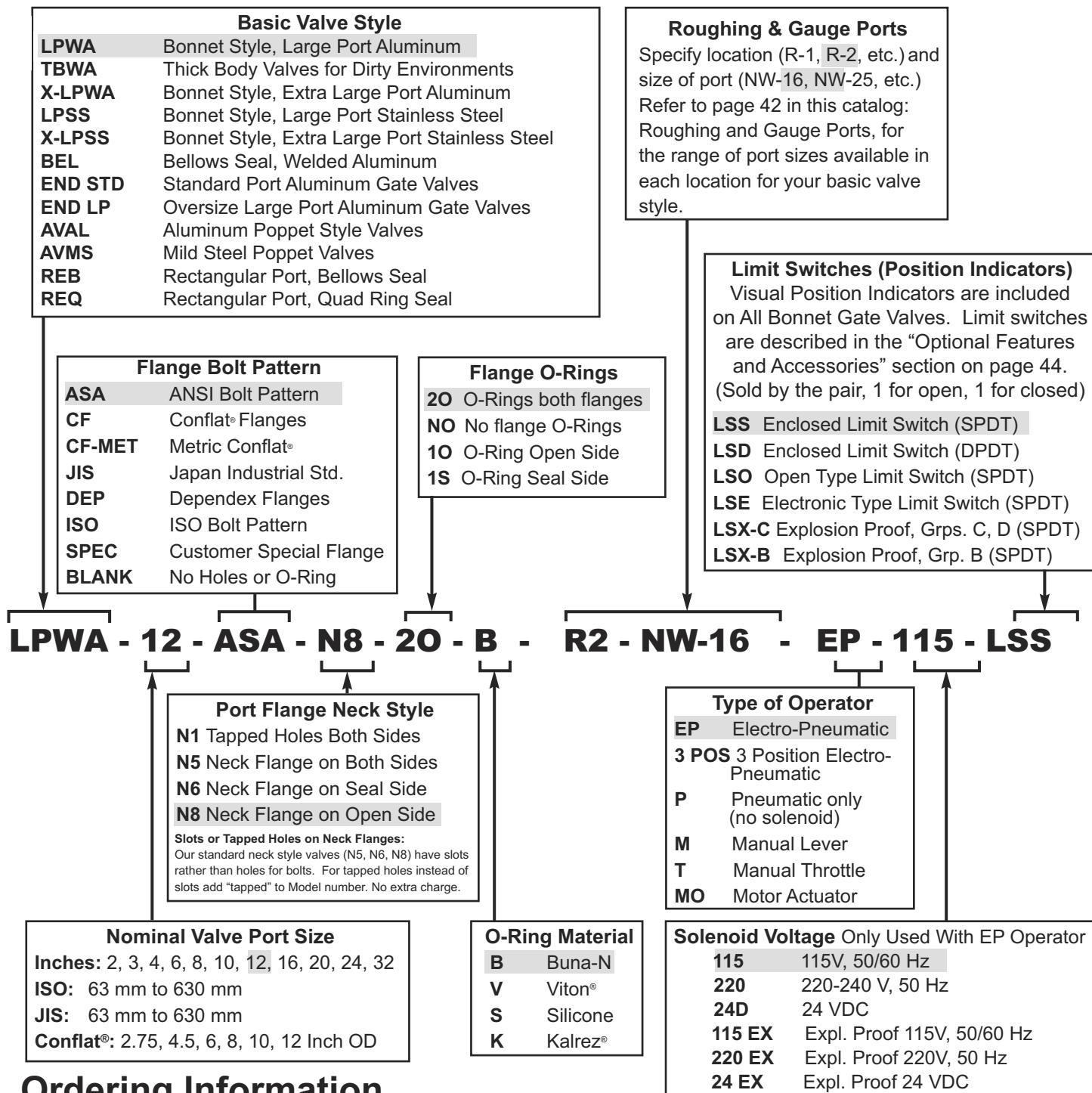
Nominal Size	Model No.	Bottom Port Diameter	Side Port Diameter	Both Flanges			Flange Face to Flange Q		C Overall Height	Roughing Port Max. Size	Aluminum Weight, lbs (kg)		Alum. Price	Mild Steel Price		
				Flange O.D.	Bolt Circle	Bolt Holes Tapped Holes Optional	Flange O-Rings	A			B	Net			Ship	
2 inch	AV-2	2.00	2.50	6.00	4.75	(4) 11/16	2.75 x .210	3.688	3.125	12.50	NW-40	7 (3.2)	12 (5.5)	\$1361.	\$1249.	
3 inch	AV-3	3.00	3.188	7.50	6.00	(4) 11/16	4.00 x .210	4.50	4.125	17.125	NW-50	13 (5.9)	18 (8.2)	\$1637.	\$1454.	
4 inch	AV-4	4.00	4.188	9.00	7.50	(8) 11/16	5.50 x .275	5.50	4.625	19.50	NW-50	15 (6.8)	24 (11)	\$2036.	\$1813.	
6 inch	AV-6	6.00	6.188	11.00	9.50	(8) 13/16	7.50 x .275	6.25	6.375	30.40	4 in / ISO 100	28 (12.7)	42 (19)	\$2293.	\$2082.	
8 inch	AV-8	8.00	8.50	13.50	11.75	(8) 13/16	9.00 x .275	8.25	7.00	30.375	4 in / ISO 100	55 (25)	75 (34)	\$3822.	\$3439.	
10 inch	AV-10	10.00	10.344	16.00	14.25	(12) 15/16	12.00 x .275	9.16	9.25	35.50	6 in / ISO 160	70 (31.8)	95 (43)	\$4768.	\$4284.	
12 inch	AV-12	12.00	12.00	19.00	17.00	(12) 15/16	14.50 x .275	12.00	8.63	40.00	8 in / ISO 200	95 (43)	130 (59)	\$5841.	\$5294.	
16 inch	AV-16	16.00	16.00	23.50	21.25	(16) 1 1/8	17.50 x .275	14.00	9.25	43.30	8 in / ISO 200	125 (49)	180 (71)	\$9580.	\$8715.	
20 inch	AV-20	20.00	20.00	27.50	25.00	(20) 1 1/8	21.00 x .275	16.00	14.00	58.90	8 in / ISO 200	280 (127)	335 (152)	\$14,356.	\$13,350.	
24 inch	AV-24	24.00	24.00	32.00	29.50	(20) 1 1/8	21.00 x .275	17.50	17.50	66.00	8 in / ISO 200	270 (122)	330 (150)	\$19,885.	\$18,380.	
2 inch	Low Profile 2532-2	2.25	2.25	6.00	4.75	(4) 11/16	2.75 x .210	4.06	2.13	12.50	NW-40	7 (3.2)	12 (5.5)	\$1363.	\$1266.	
3 inch		2532-3	3.00	3.00	7.50	6.00	(4) 11/16	4.00 x .210	4.81	2.60	17.10	NW-50	13 (5.9)	18 (8.2)	\$1637.	\$1484.
4 inch		2532-4	4.00	4.00	9.00	7.50	(8) 11/16	5.5 x .275	5.63	3.44	19.50	NW-50	15 (6.8)	24 (11)	\$2167.	\$1928.
6 inch		2532-4	6.00	6.00	11.00	9.50	(8) 13/16	7.5 x .275	7.06	4.63	23.30	NW-50	28 (12.7)	42 (19)	\$2293.	\$2053.

Dimensions shown in inches

Standard Exterior of Mild Steel Valves Painted Turbine Blue.



Vacuum Research valves are available with dozens of options to allow you to select exactly the features you need for your vacuum system. The model number system illustrated below will accurately describe most valves, but if you have any questions about the best way to specify what you need, just call or fax our customer service department and we will be happy to help you. All Valves are (RoHS) 2002/95/EC Compliant.



## Ordering Information



Call our toll free number (800) 426-9340, or (412) 261-7630 to place orders, or for customer service.



Our FAX number is (412) 261-7220. Address orders by mail to Vacuum Research Corporation, 100 Chapel Harbor Drive, #4, Pittsburgh, PA 15238 USA. Prices in this catalog are FOB factory. CIF or C&F prices available. Contact factory for pro forma invoice or price quotation. Terms are Net 30 Days.



Kalrez® and Viton® are registered trademarks of Dupont Corp. • Conflat® is a registered trademark of Varian Associates • Throttlemaster™ is a registered trademark of Vacuum Research Corporation

**Vacuum Research Corp. • 100 Chapel Harbor Drive, #4 • Pittsburgh, PA 15238 USA • www.vacuumresearch.com**

**Phone: 800-426-9340 • 412-261-7630 • FAX: 412-261-7220 • e-mail: VRC@vacuumresearch.com**